

# FT900

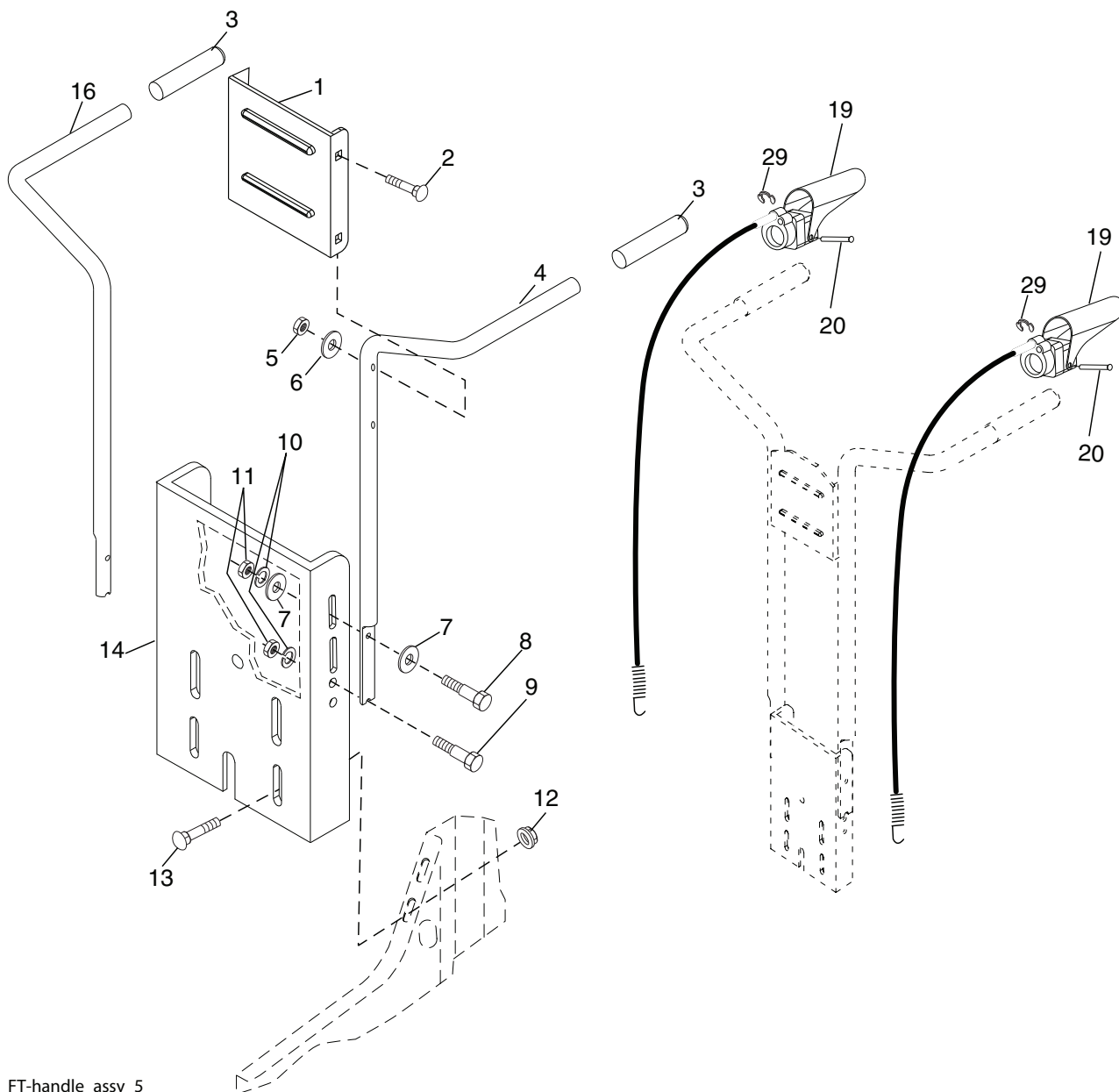
---

## Illustrated Parts List

"This machine is approved by the EPA for E10 (10% ethanol) and lower fuel only.  
Do not use any fuel >E10 in this machine."

# REPAIR PARTS

TILLER - MODEL NO. FT900 (96083000501), PRODUCT NO. 960 83 00-05  
HANDLE ASSEMBLY



FT-handle\_assy\_5

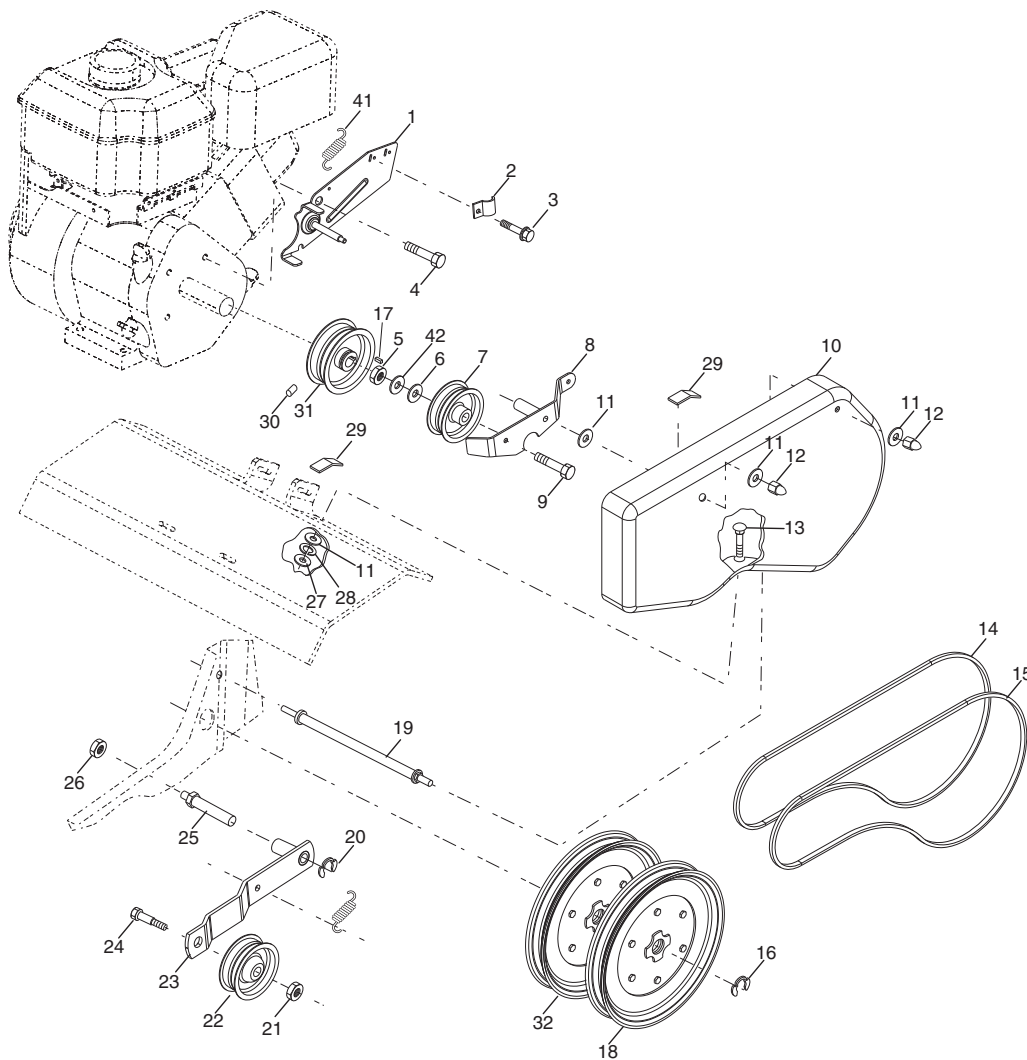
KEY NO.	PART NO.	DESCRIPTION
1	532 44 07-18	Panel, Control
2	872 14 05-12	Bolt, RDHD 5/16-18 x 1 1/2
3	532 16 57-87	Grip, Handle
4	532 44 07-14	Handle, LH Double Bend
5	873 68 05-00	Nut, Crown Lock 5/16 -18
6	819 11 11-16	Washer 11/32 x 11/16 x 16 Ga.
7	819 12 14-14	Washer 3/8 x 7/8 x 14 Ga.
8	874 76 05-20	Bolt Fin Hx 5/16-18 x 1.25
9	874 76 05-16	Bolt Hex Hd 5/16-18 x 1
10	810 04 05-00	Washer Lock 5/16
11	873 22 05-00	Nut, Fln Hx 5/16-18

KEY NO.	PART NO.	DESCRIPTION
12	898 00 01-29	Nut, Flange
13	532 18 08-47	Bolt, RDHD 5/16-18 x 3/4
14	532 44 07-22	Assembly, Panel
16	532 44 07-15	Handle, RH Double Bend
19	532 18 85-62	Lever, Control, Tine
20	532 18 85-55	Pin, Pivot
29	812 00 00-59	Retainer, Ring

**NOTE:** All component dimensions given in U.S. inches.  
1 inch = 25.4 mm

# REPAIR PARTS

## TILLER - MODEL NO. FT900 (96083000501), PRODUCT NO. 960 83 00-05 BELT GUARD AND PULLEY ASSEMBLY



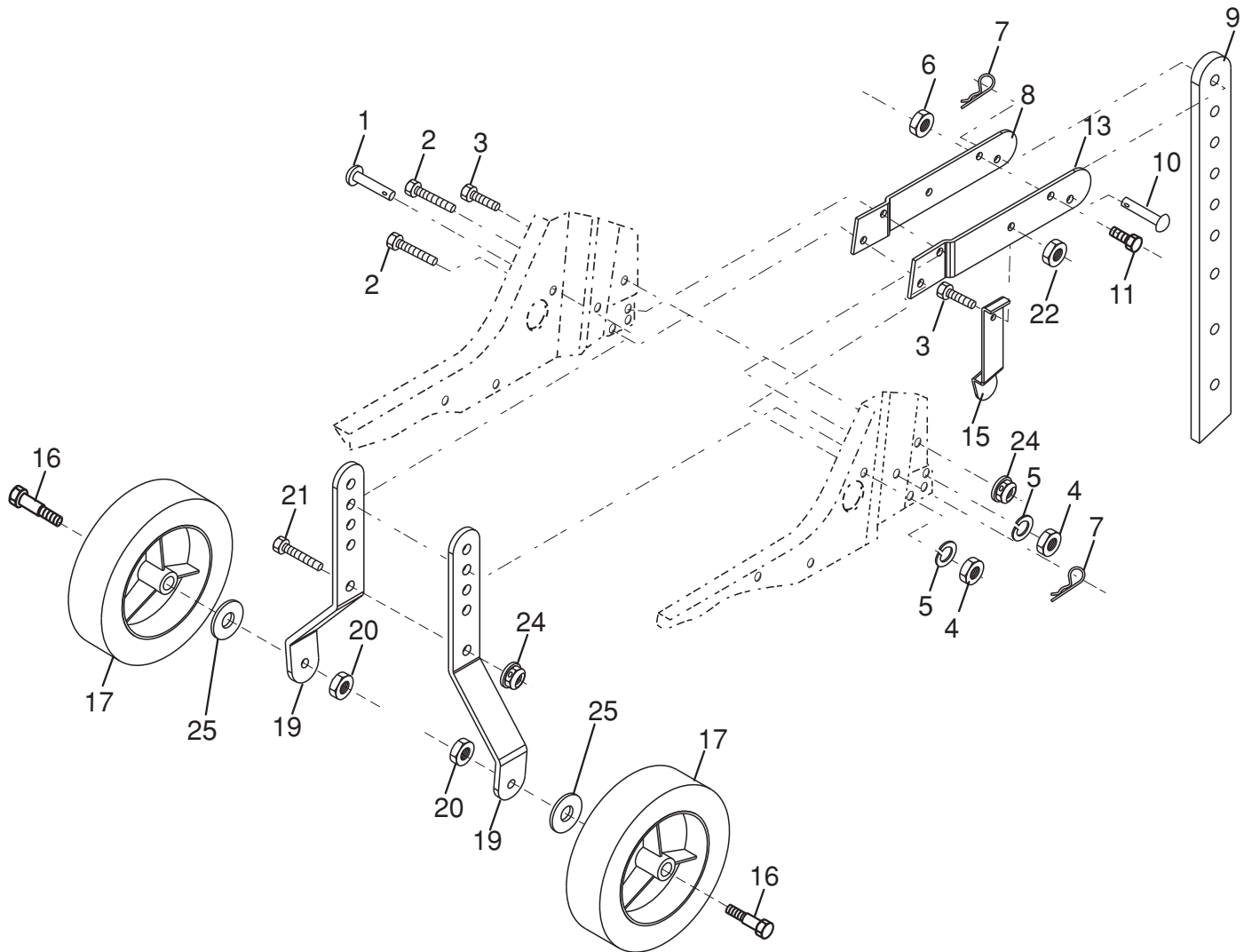
belt\_guard\_14

KEY NO.	PART NO.	DESCRIPTION	KEY NO.	PART NO.	DESCRIPTION
1	532 43 91-62	Assembly, Bracket, Belt Guard	21	873 35 06-00	Nut, Hex, Jam 3/8-16
2	532 00 94-84	Clip, Cable	22	532 16 18-06	Pulley, Idler
3	532 08 67-77	Screw #10-24 x 1/2	23	532 17 53-77	Arm, Idler
4	874 61 08-12	Bolt, Hex Head 1/2-20 x 3/4	24	874 76 06-20	Bolt 3/8-16 x 1-1/4
5	873 68 06-00	Nut, Hex 3/8-16	25	532 10 69-68	Shaft, Idler Arm
6	819 13 13-16	Washer 13/32 x 13/16 x 16 Ga.	26	873 35 05-00	Nut, Hex, Jam 5/16-18
7	532 00 20-09	Pulley, Idler, Reverse	27	873 22 04-00	Nut, Hex 1/4-20
8	532 18 03-23	Assembly, Arm, Reverse Idler	28	810 04 04-00	Washer, Lock 1/4
9	874 76 06-28	Bolt, Hex Head 3/8-16 x 1-3/4	29	532 10 92-27	Pad, Idler
10	532 44 07-09	Guard, Belt	30	823 20 04-04	Screw, Set, Socket, Headless C.P. 1/4-20 x 1/4
11	819 09 10-16	Washer 9/32 x 5/8 x 16 Ga.	31	532 10 11-89	Sheave, Engine
12	532 10 42-13	Nut, Cap 1/4-20	32	532 15 12-23	Sheave, Transmission
13	872 14 04-06	Bolt, Carriage 1/4-20 x 3/4	41	532 18 03-07	Spring Extension
14	532 13 30-35	V-Belt (Forward Motion)	42	532 13 89-09	Spacer
15	532 00 26-14	V-Belt (Reverse)			
16	812 00 00-28	Ring, Retainer			
17	532 00 26-49	Key, Square			
18	532 15 12-36	Sheave, Transmission "Flat"			
19	532 18 85-02	Bolt, Belt Guard			
20	812 00 00-36	Ring, Klip			

**NOTE:** All component dimensions given in U.S. inches.  
1 inch = 25.4 mm

# REPAIR PARTS

TILLER - MODEL NO. FT900 (96083000501), PRODUCT NO. 960 83 00-05  
WHEEL AND DEPTH STAKE ASSEMBLY



wheel\_d.stake\_9

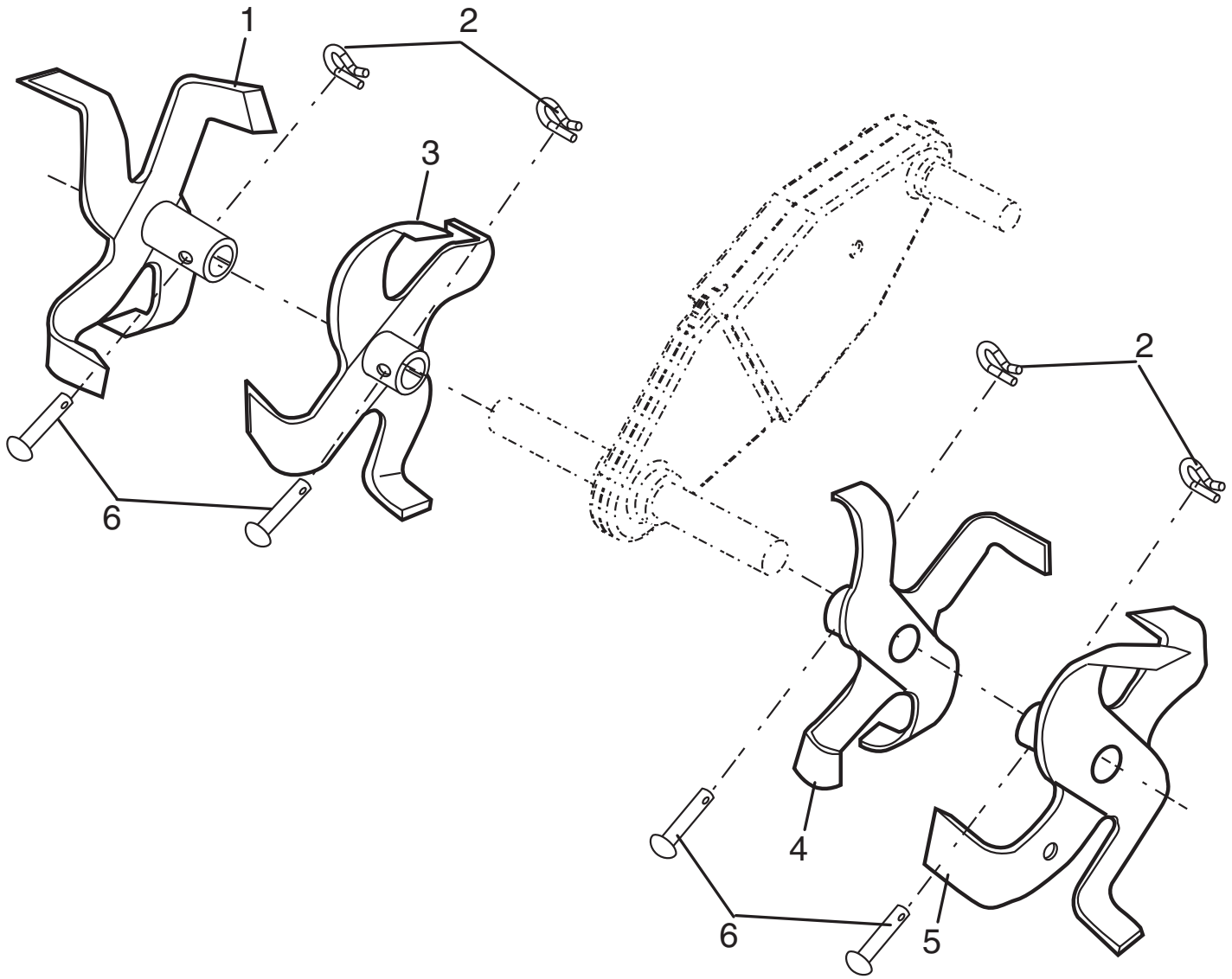
KEY NO.	PART NO.	DESCRIPTION
1	532 00 91-94	Pin, Clevis
2	874 76 05-20	Bolt, Hex Head 5/16-18 x 1-1/4
3	874 76 05-12	Bolt, Hex Head 5/16-18 x 3/4
4	873 22 05-00	Nut, Hex 5/16-18
5	810 04 05-00	Washer, Lock 5/16
6	873 80 06-00	Locknut, w/washer 3/8-16
7	532 12 49-61	Clip, Hairpin
8	532 00 19-52	Support, Depth Stake, R.H.
9	532 12 22-33	Stake, Depth
10	532 00 03-26	Pin, Clevis
11	874 78 06-28	Bolt, Hex 3/8-16 x 1-3/4
13	532 00 19-51	Support, Depth Stake, L.H.

KEY NO.	PART NO.	DESCRIPTION
15	532 00 53-88	Spring, Stake
16	532 12 11-17	Bolt, Shoulder
17	532 42 70-25	Wheel
19	532 00 91-90	Bracket, Wheel
20	873 68 06-00	Locknut, Crown 3/8-16
21	874 76 05-16	Bolt, Hex Head 5/16-18 x 1
22	873 80 05-00	Locknut, w/insert 5/16-18
24	873 97 05-00	Locknut, Flange 5/16-18 unc
25	819 17 14-16	Washer 17/32 x 7/8 x 16 Ga.

**NOTE:** All component dimensions given in U.S. inches.  
1 inch = 25.4 mm

# REPAIR PARTS

TILLER - MODEL NO. FT900 (96083000501), PRODUCT NO. 960 83 00-05  
TINE ASSEMBLY



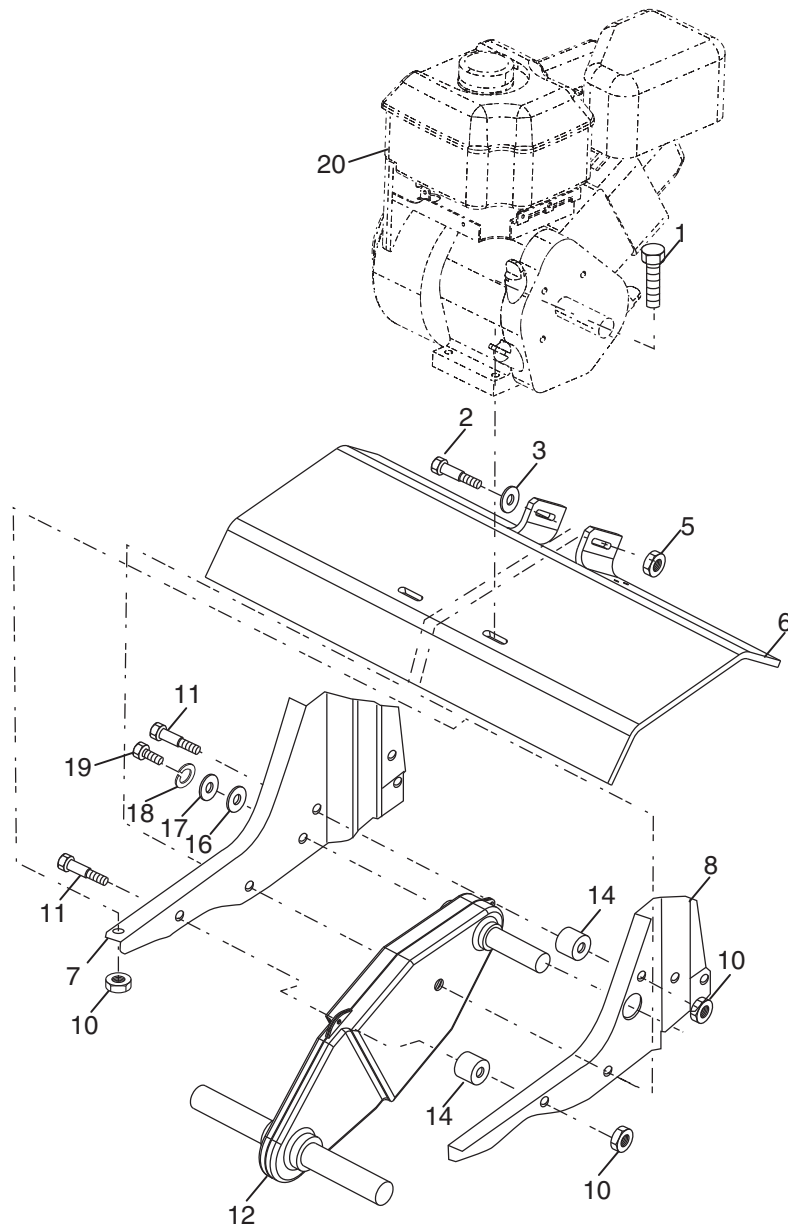
tine\_ipb\_3

KEY NO.	PART NO.	DESCRIPTION
1	532 15 69-34	Tine, Outer, R.H.
2	532 00 31-46	Retainer, Spring
3	532 15 69-32	Tine, Inner, R.H.

KEY NO.	PART NO.	DESCRIPTION
4	532 15 69-31	Tine, Inner, L.H.
5	532 15 69-33	Tine, Outer, L.H.
6	532 00 49-29	Rivet Pan Hd Drilled 1/4 Dia.

# REPAIR PARTS

TILLER - MODEL NO. FT900 (96083000501), PRODUCT NO. 960 83 00-05  
TRANSMISSION



transmission\_12

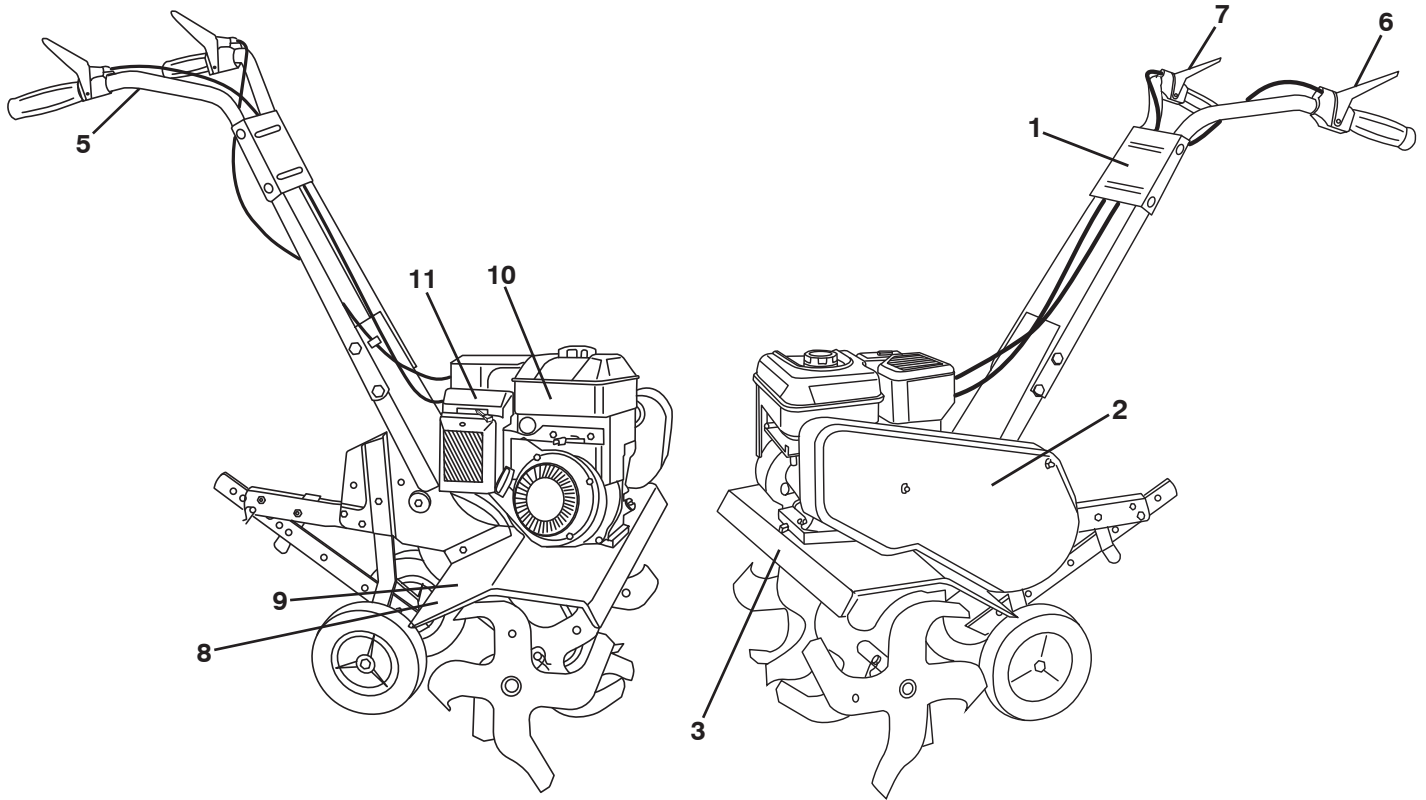
KEY NO.	PART NO.	DESCRIPTION
1	874 76 05-24	Bolt, Hex 5/16-18 x 1-1/2 Gr. 2
2	874 78 06-52	Bolt, Hex 3/8-16 x 3-1/4
3	819 13 13-11	Washer 13/32 x 13/16 x 11
5	873 90 06-00	Locknut 3/8-16
6	532 44 07-04	Shield, Tine
7	532 18 81-95	Bracket, Engine, R.H.
8	532 16 58-34	Bracket, Engine, L.H.
10	873 97 05-00	Nut, Hex 5/16-18
11	532 18 79-12	Bolt, Hex Head 5/16-18 x 2.5
12	532 15 12-22	Transmission

KEY NO.	PART NO.	DESCRIPTION
14	532 00 91-73	Spacer, Split
16	819 09 14-12	Washer 9/32 x 7/8 x 12 Ga.
17	819 09 20-16	Washer 9/32 x 1-1/4 x 16 Ga.
18	810 04 04-00	Washer, Lock 1/4
19	874 61 04-12	Bolt, Hex 1/4-28 x 3/4 Gr. 5
20	-----	Engine Briggs Model 121002-1380-B8

**NOTE:** All component dimensions given in U.S. inches.  
1 inch = 25.4 mm

# REPAIR PARTS

TILLER - MODEL NO. FT900 (96083000501), PRODUCT NO. 960 83 00-05  
DECALS



KEY NO.	PART NO.	DESCRIPTION
1	532 44 06-13	Decal, Logo
2	532 42 20-12	Decal, Logo
3	532 43 99-89	Decal, Logo
5	532 11 06-14	Decal, Hand Placement
6	532 15 87-00	Decal, Control Forward
7	532 15 87-01	Decal, Control Reverse
8	532 12 00-76	Decal, Warning, Rotating Tines
9	532 42 29-72	Decal, Tine Shield
10	532 40 91-43	Decal, Tank
11	532 43 22-78	Decal, Air Cleaner
--	532 43 99-99	Manual, Owner's (English)
--	532 44 00-00	Manual, Owner's (French)